

Klarity Carbon Fiber Head Supports

INSTRUCTIONS FOR USE

GENERAL INFORMATION

Klarity Carbon Fiber Head Supports are designed for patients undergoing radiation therapy.

PRODUCT DESCRIPTION

Klarity Carbon Fiber Head Supports are used for positioning and re-positioning patient's head and neck during radiation therapy and other disease treatments.

Klarity Carbon Fiber Head Supports are available in a variety of sizes. Please consult our catalog or www.klaritymedical.com for a complete selection.

MAINTENANCE AND DISPOSAL

Klarity Carbon Fiber Head Supports must be stored in a dry, clean place. Keep away from extreme heat.

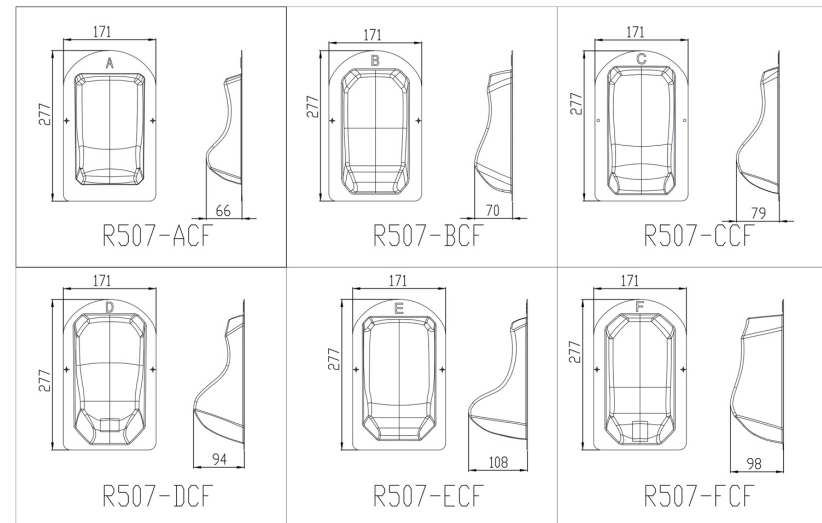
Klarity Carbon Fiber Head Supports can be cleaned and disinfected with soapy water or a neutral water-based antiseptic cleaner. Allow to dry completely before next use. Do not use acidic or alkali disinfectant, or abrasive detergents.

INSTRUCTIONS FOR USE

1. Attach the head support to the baseplate by matching the holes in the Carbon Fiber Head Support to the pins on the baseplate.
2. Under the guidance of a medical professional, have the patient lie down on the baseplate and position the head and neck into a comfortable and appropriate position for treatment.

ITEM INFORMATION

ITEM ID	PRODUCT DESCRIPTION	QUANTITY
R507-ACF	Size A Carbon Fiber Head Support	1
R507-BCF	Size B Carbon Fiber Head Support	1
R507-CCF	Size C Carbon Fiber Head Support	1
R507-DCF	Size D Carbon Fiber Head Support	1
R507-ECF	Size E Carbon Fiber Head Support	1
R507-FCF	Size F Carbon Fiber Head Support	1



To be used by a qualified medical professional
IFU-A-004



Keep in a cool and dry environment
35°C
Store below 35°C (95°F)



EC REP

Lotus NL B.V.
Koningin Julianaplein 10, le Verd, 2595AA
The Hague, Netherlands
T: +31645171879 (English)
T: +31626669008 (Dutch)

Klarity Medical Products, LLC
600 Industrial Parkway
Heath, OH 43056
T: 740.788.8107 F: 740-788-8109
info@klaritymedical.com
www.klaritymedical.com