

R632-BTGF Klarity MR WingSpan™ Baseplate INSTRUCTIONS FOR USE

GENERAL INFORMATION

The Klarity MR WingSpan™ Baseplate is used for positioning and re-positioning patients during radiation therapy treatment.

PRODUCT DESCRIPTION

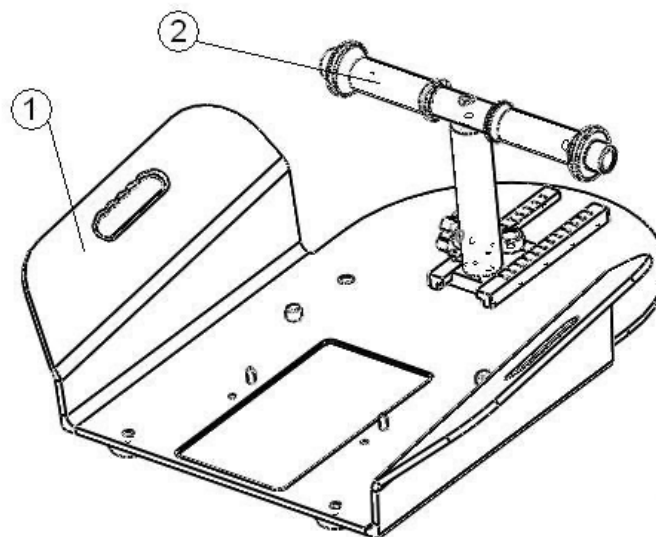
The Klarity MR WingSpan™ Baseplate is used for immobilizing the head, upper torso, and arms during radiation therapy treatments. The baseplate fixes to the treatment couch with standard indexing bars, and can be used with standard headrests or silverman. The MR WingSpan™ Baseplate is compatible with the R62400-3GF Klarity MR SBRT System and the R611-5SDGF MR Supine Breast System. For more information on these or other products, please visit www.klaritymedical.com.

STORAGE AND CLEANING

Store in a clean, dry place away from direct sunlight. Wipe thoroughly with a neutral antiseptic cleaner. Allow to dry thoroughly before next use.

INSTRUCTIONS FOR USE

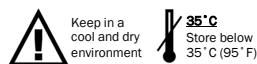
1. Attach the MR WingSpan™ Baseplate to the accompanying baseplate or treatment table or CT Couch using an indexing bar.
2. Place the desired headrest on the MR WingSpan Baseplate.
3. Position the patient on the baseplate in the desired manner, ensuring that their hands are comfortably positioned along the top handle.



R632-BTGF Klarity MR WingSpan™ Baseplate

Number	Item Name	Qty.
1	Baseplate	1
2	T-type Handle	1

To be used by a qualified medical professional
IFU-B-012



EC REP

Lotus NL B.V.
Koningin Julianaplein 10, le Verd, 2595AA
The Hague, Netherlands
T: +31645171879 (English)
T: +31626669008 (Dutch)

Klarity Medical Products, LLC
600 Industrial Parkway
Heath, OH 43056
T: 740.788.8107 F: 740-788-8109
info@klaritymedical.com
www.klaritymedical.com