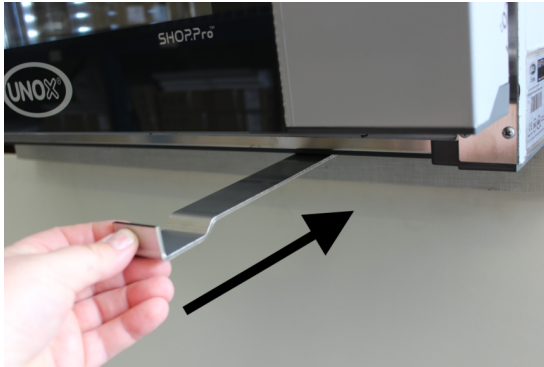


Klarity® KEL-113 Counter Mount Kit for Klarity Oven KEL-1300
INSTRUCTIONS FOR USE

INSTRUCTIONS FOR INSTALLATION

1. Place oven on the counter in desired location.
2. Slide metal brackets under the oven.

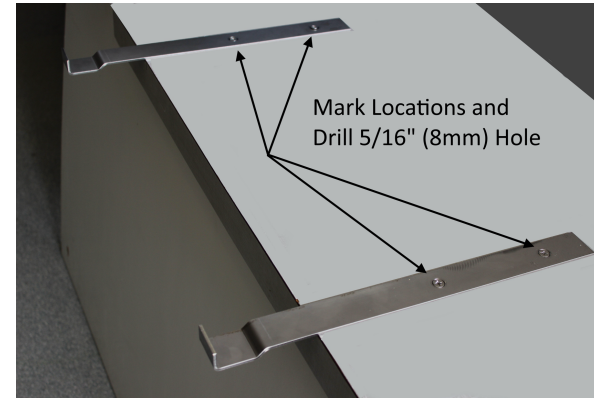


3. Mark the mounting location on the brackets and on the countertop.



4. Remove oven and place brackets at the desired location.

5. Mark hole location on countertop and drill 4 holes using a 5/16" (8mm) drill bit.



6. Mount brackets to countertop using the existing hardware. Determine which screw is best based on countertop thickness (2" or 1 1/4").

